

TX Serisi Kasetli Tip Hidrolik Tork Anahtarları

TX Series Low Clearance Hydraulic Torque Wrenches



TX



- > ±3% yüksek hassasiyetli torklama imkânı
- > Her cihaz ISO17025 standartına göre kalibre edilir
- > 77.000 N.m'ye kadar hidrolik tork kuvveti
- > Havacılıkta kullanılan alaşımli çelik malzeme
- > Birbirinden bağımsız 360° x 360° dönebilir yağ portları
- > 13-205 mm aralığında kaset seçeneği
- > Her somuna uygun kaset ölçü düşürücü burç
- > Kaset için kare ve alyan adaptör seçenekleri
- > Sıkma ve sökme yönünde kullanıma uygun
- > Türkiye'de servis, yedek parça ve kalibrasyon desteği

- > ±3% high precision torque operation
- > Every unit calibrated in ISO17025 laboratory
- > Hydraulic torque capacity up to 77.000 N.m
- > 4340 Aircraft Quality high strength steel alloy
- > 360° x 360° independent swivels, no drip quick connect couplers
- > Hexagon cassettes from 13 to 205 mm
- > Various cassettes and reducers are available
- > Easy replaceable square and hexagon drive adapters
- > Designed to tighten and loosen nuts
- > Maintenance, spare parts and calibration service

Altıgen-Kare Adaptör / Hex to Square Drive

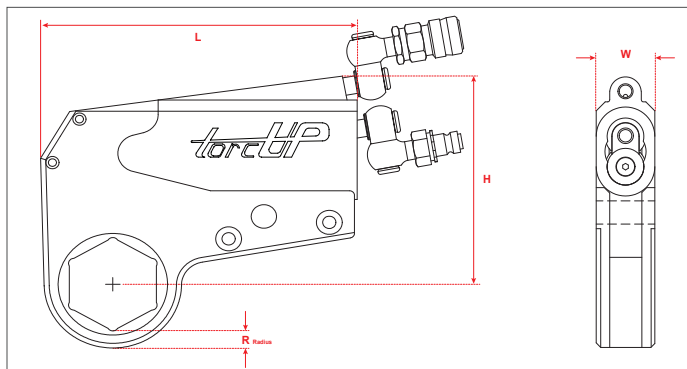
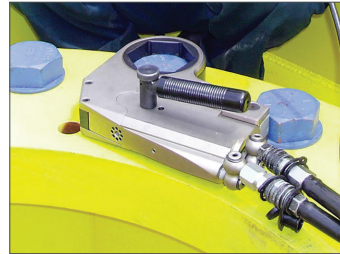
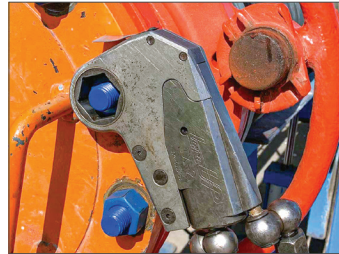
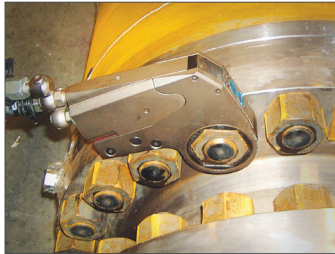
Kaset Düşürücü Burçlar / Hex Reducers



Model No.	Tork Kapasitesi Torque Range		Anahtar Ölçü Aralığı Hex Link Size Range		Ağırlık (kg) Weight (Piston - Link)	
	#	Min. N.m	Max. N.m	mm	inch	Piston
TX-1	60	900	13 - 50	1/2" - 2"	0,5	0,45
TX-2	260	3.200	19 - 65	3/4" - 2.9/16"	1,6	1 - 1,5
TX-4	530	6.200	27 - 80	1" - 3.1/8"	2,7	2,4 - 3,4
TX-8	1.100	14.000	49 - 120	1.7/8" - 4.5/8"	5	5,5 - 6,5
TX-16	2.100	27.000	55 - 135	2.3/16" - 5.5/16"	7,3	9,5 - 13
TX-32	4.300	56.000	80 - 205	3.1/8" - 7.7/8"	11,5	13 - 17,9
TX-45	6.500	77.000	80 - 205	3.1/8" - 7.7/8"	13	13 - 17,9



Min. ve maks. tork değerleri en küçük ve en büyük kasete göre verilmiştir. *Min. and max. torque values are given according to the smallest and largest link size of the model.*



Model No.	Ölçüler (mm) Dimensions			
	#	L	W	R
TX-1	111	19,8	6,2 - 11,4	82,6
TX-2	163,8	31,8	9,6 - 15	101,6
TX-4	199,9	41,4	10,5 - 18,7	142,2
TX-8	258,6	52,1	14,2 - 21	177,8
TX-16	328,4	63,5	17,1 - 25,9	192,5
TX-32	401,3	82,3	24,3 - 44,2	241,3
TX-45	425,5	124	24,3 - 44,2	261,1

TX Serisi Kasetli Tip Hidrolik Tork Anahtarları

TX Series Low Clearance Hydraulic Torque Wrenches



TX

TX-1 Kasetleri Links	Altıgen Ölçü Hex. Size
No.	mm
TX-1RL13M	13
TX-1RL14M	14
TX-1RL15M	15
TX-1RL17M	17
TX-1RL012M19	19
TX-1RL21M	21
TX-1RL014M22	22
TX-1RL24M	24
TX-1RL101M27	27
TX-1RL103M30	30
TX-1RL32M	32
TX-1RL106M35	35
TX-1RL36M	36
TX-1RL108M38	38
TX-1RL110M41	41
TX-1RL113M46	46
TX-1RL115M49	49
TX-1RL50M	50

TX-2 Kasetleri Links	Altıgen Ölçü Hex. Size
No.	mm
TX-2RL012M19	19
TX-2RL014M22	22
TX-2RL24M	24
TX-2RL101M27	27
TX-2RL103M30	30
TX-XRL32M	32
TX-2RL106M35	35
TX-XRL36	36
TX-2RL108M38	38
TX-2RL110M41	41
TX-2RL113M46	46
TX-2RL115M49	49
TX-2RL50M	50
TX-2RL203M55	55
TX-2RL206M60	60
TX-2RL209M65	65

TX-4 Kasetleri Links	Altıgen Ölçü Hex. Size
No.	mm
TX-4RL101M27	27
TX-4RL103M30	30
TX-4RL32	32
TX-4RL36M	36
TX-4RL108M38	38
TX-4RL110	41
TX-4RL113	46
TX-4RL115M49	49
TX-4RL50M	50
TX-4RL203M55	55
TX-4RL206M60	60
TX-4RL209M65	65
TX-4RL212M70	70
TX-4RL215M75	75
TX-4RL302M80	80

TX-8 Kasetleri Links	Altıgen Ölçü Hex. Size
No.	mm
TX-8RL115M49	49
TX-8RL50M	50
TX-8RL203M55	55
TX-8RL206M60	60
TX-8RL209M65	65
TX-8RL212M70	70
TX-8RL215M75	75
TX-8RL302M80	80
TX-8RL85M	85
TX-8RL90M	90
TX-8RL312M95	95
TX-8RL315M100	100
TX-8RL402M105	105
TX-8RL110M	110
TX-8RL115M	115
TX-8RL120M	120

TX-16 Kasetleri Links	Altıgen Ölçü Hex. Size
No.	mm
TX-16RL203M55	55
TX-16RL206M60	60
TX-16RL209M65	65
TX-16RL212M70	70
TX-16RL215M75	75
TX-16RL302M80	80
TX-16RL85M	85
TX-16RL90M	90
TX-16RL312M95	95
TX-16RL315M100	100
TX-16RL402M105	105
TX-16RL110M	110
TX-16RL115M	115
TX-16RL120M	120
TX-16RL125M	125
TX-16RL502M130	130
TX-16RL505M135	135

TX-32 / TX-45 Kasetleri Links	Altıgen Ölçü Hex. Size
No.	mm
TX-32RL302M80	80
TX-32RL85M	85
TX-32RL90M	90
TX-32RL312M95	95
TX-32RL315M100	100
TX-32RL402M105	105
TX-32RL110M	110
TX-32RL115M	115
TX-32RL120M	120
TX-32RL125M	125
TX-32RL502M130	130
TX-32RL505M135	135
TX-32RL508M140	140
TX-32RL145M	145
TX-32RL150M	150
TX-32RL155M	155
TX-32RL160M	160
TX-32RL608M165	165
TX-32RL611M170	170
TX-32RL175M	175
TX-32RL180M	180
TX-32RL185M	185
TX-32RL190M	190
TX-32RL711M195	195
TX-32RL714M200	200
TX-32RL205M	205



İnç ölçülü kasetler için irtibat kurunuz.
Please contact for imperial size links.

Özel uygulamalar için kaset tasarımı yapılabilir.
Link design can be made for special applications.

TX-32 ve TX-45 modellerinde kasetler ortaktır.
Links are common in TX-32 and TX-45 models.